



## TOSA-LC 10Gbps 850nm

### Features:

- Data rates up to 10 Gbps
- 850nm multimode emission
- -10°C to +85°C operation
- High reliability
- Integrated monitor photodiode (MPD).
- Differentially driven
- LC plastic barrel

### Applications:

- High speed Data Communication
- 10Gigabit Ethernet

### Specifications:

#### Absolute Maximum Ratings

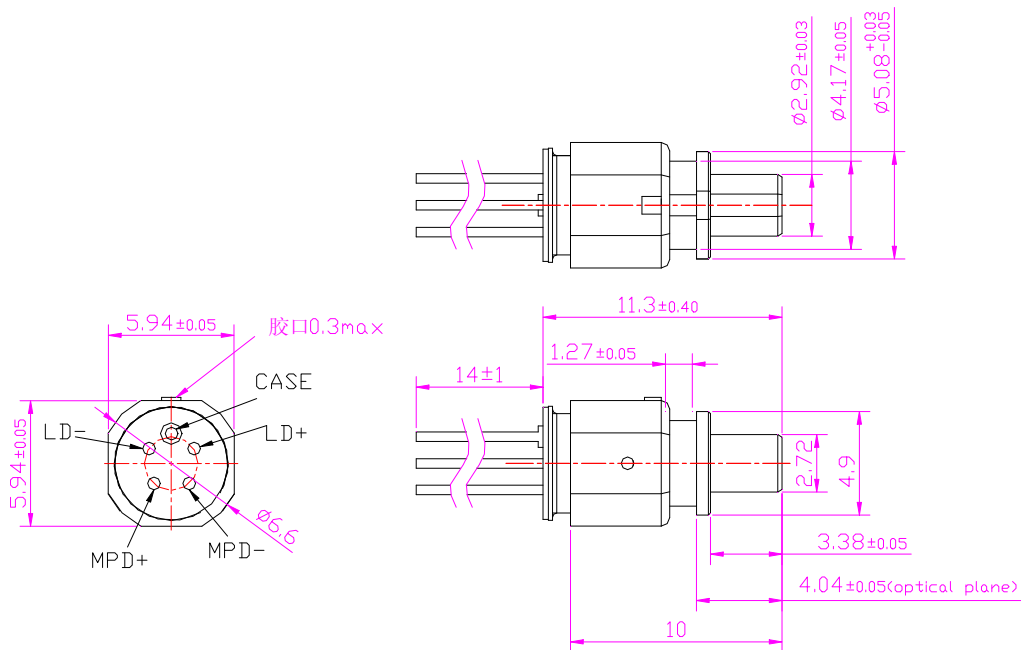
Parameter	Symbol	Min	Max.	Unit
LD Reverse Voltage	$V_{r(LD)}$	--	5	V
LD Forward Current	$I_{f(LD)}$	--	12	mA
MPD Forward Current	$I_{f(MPD)}$	--	10	mA
MPD Reverse Voltage	$V_{r(MPD)}$	--	10	V
Operating Temperature	Top	-10	85	°C
Storage Temperature	Tstg	-40	85	°C
Lead Solder Temperature	--	--	260	°C
Lead Soldering Time	--	--	10	s

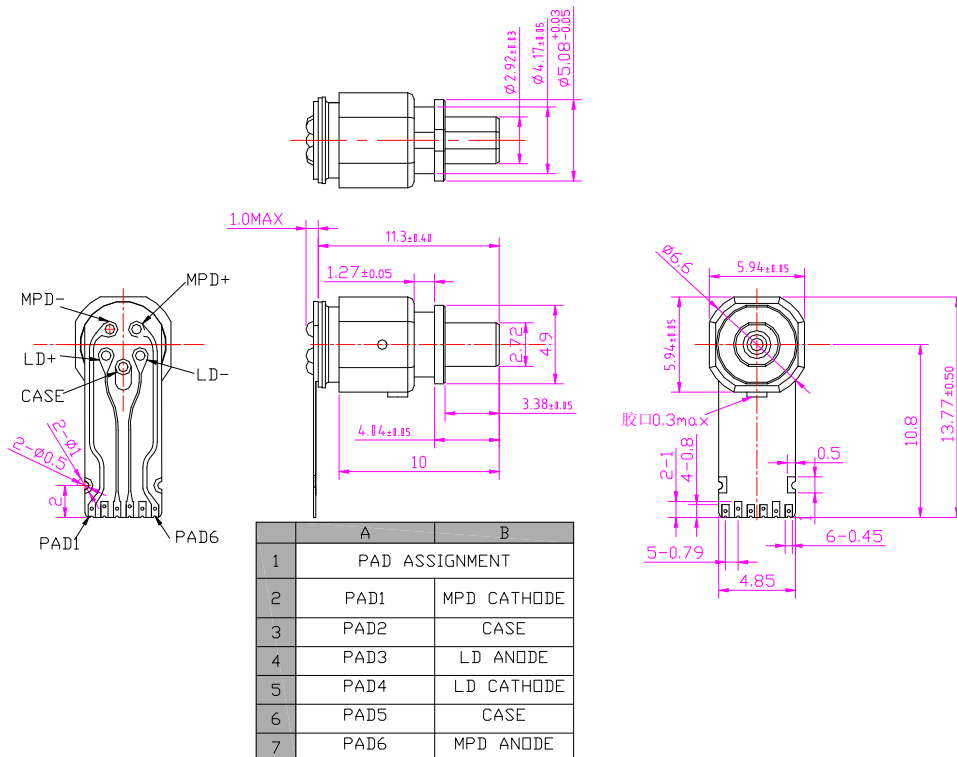
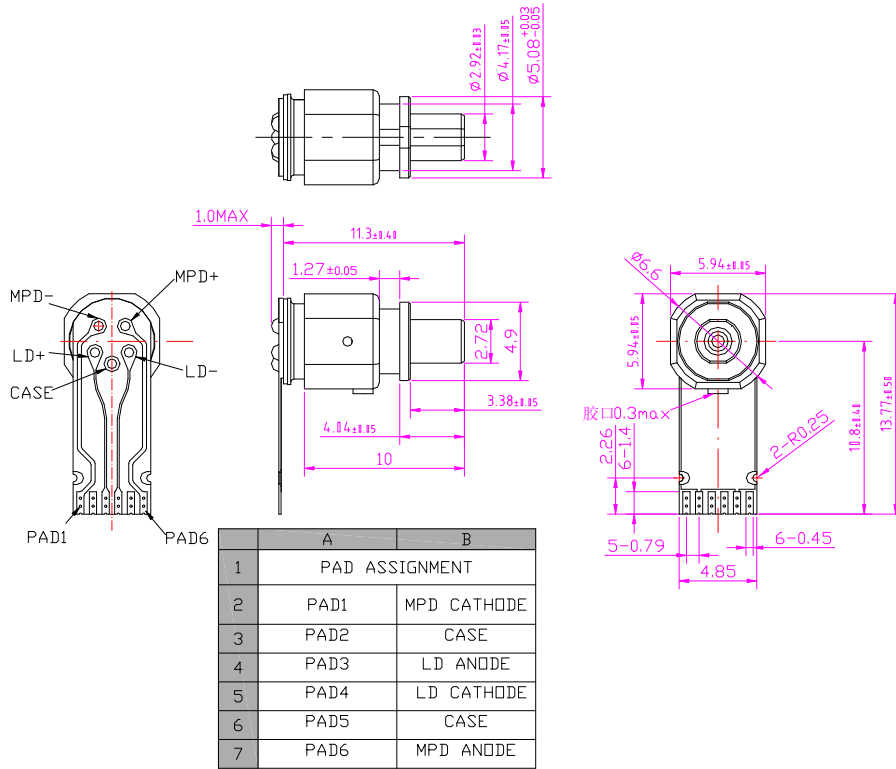


Specifications (T=25°C, unless otherwise noted)

Parameter	Symbol	Test Condition	Min	Typ	Max	Unit
Threshold Current	Ith	--	--	1.0	1.5	mA
Forward Voltage	Vf	Iop=6.5mA	--	1.9	--	V
Monitor Current(MPD)	Im	Iop=6.5mA	150	--	700	uA
Dark Current(MPD)	Id	Vr=3.3V	--	--	20	nA
Optical Output Power	Po	Iop=6.5mA, 50/125MMF Fiber	0.50	0.58	0.70	mW
Slope efficiency	SE		0.091	0.105	0.127	mW/mA
Central Wavelength	$\lambda_c$		830	850	860	nm
Spectral Width(RMS)	$\Delta\lambda$		--	--	0.45	nm
RiseTime	Tr	20~80%	--	30	40	ps
Fall Time	Tf		--	40	45	ps
Tracking Error	TE	-10°C~85°C	-1.0	--	+1.0	dB

Mechanical Dimension and Pin Assignment:



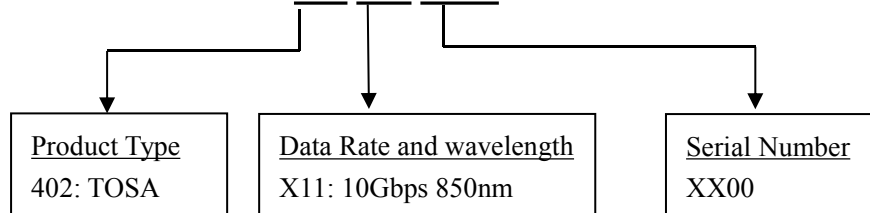




## Order Information:

**SAN-U P/N:**

**402 X11 XX00**



## Statement:

SAN-U owns the authority for final explanation of all information contained in this document, which is subject to change without notice. All the information was obtained in particular environments; and SAN-U will not be responsible for the performance of the customers' actual operating environments. All information contained is only for the users' reference and shall not be considered as warranted characteristics. SAN-U will not be liable for damages arising directly or indirectly which from any use of the information contained in this document.

## Contact Information:

Address: N501-505 Weiye Bldg., Xiamen Pioneering Park For Overseas Chinese Scholars, Xiamen, Fujian, China

Tel: +86-592-3898601, 3898608, 5318000

Fax: +86-592-5703588

Email: [sales@san-u.com](mailto:sales@san-u.com)

<http://www.san-u.com>